



## Power Supply – 12 or 24 Volt, 1 AMP P-512241A



**Description:** Power supply to be used with Cornell systems.

**Rated Output:** 1 amp continuous supply current at 12 VDC and 1 amp continuous supply current at 24 VDC.

**Output Power:** 1 amp continuous supply current at 12VDC (switch open), 1 amps continuous supply current at 24 VDC (switch closed), insure proper setting before installation. Manufactory set at 24VDC.

**Circuit Protection:** Short circuit and thermal overload protection.

**Operation:** Provides 1 amp continuous supply current at 12VDC, 1 amps continuous supply current at 24 VDC.

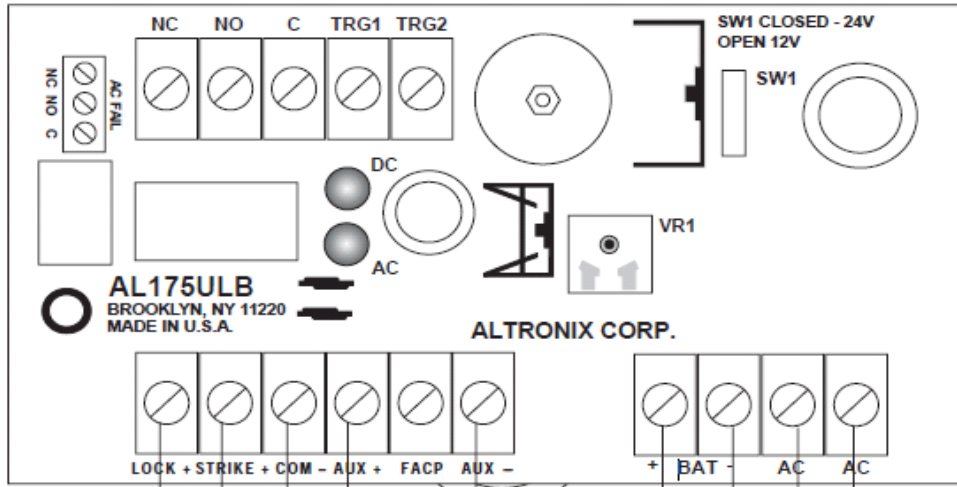
**Mounting:** Slotted keyholes make it suitable for vertical wall or rack mounting.

**Engineering Specifications:** The contractor shall furnish and install a *CORNELL* P-512241A Power Supply for use with the *CORNELL* Series System.

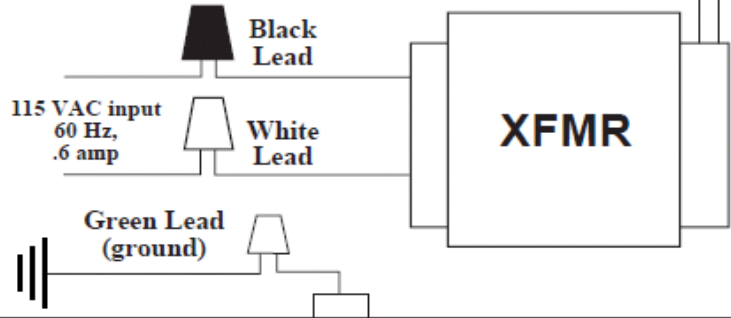
### Technical Information:

- Input Power Requirements: 115VAC/60Hz, 0.6amps
- Operating Environment: 50-120°F Indoor Non-condensing
- Physical Enclosure Dimensions: 8.5" H x 7.5" W x 3.5" D
- Mounting: Surface mounted enclosure.
- Wiring: #18 AWG Minimum

**CAUTION:**  
 Power Supply can be configured as  
 12VDC or 24VDC  
 Ensure Proper Setting Prior to Installation



Switched DC output (trigger control)      Constant output (Not affected by trigger)      Stand-by Battery (optional)



**Indicator LED Diagnostics:**

Red-DC	Green-AC	Status
On	On	Normal Operating condition
Off	On	No DC output
Off	Off	Loss of AC No DC output

