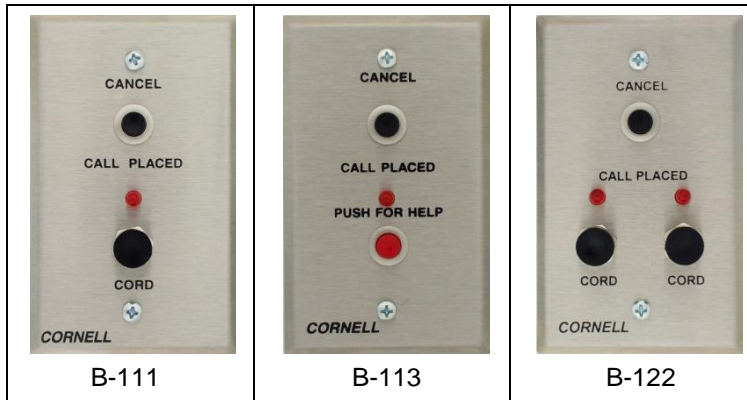




Bedside Stations with Call Cord or Push Button

B-111, B-113, and B-122



Description: UL-listed CORNELL Bedside Stations may be equipped with one or two jacks (B-111, B-122) for use with CORNELL Call Cords, or furnished with push button operations (B-113). Red LED's indicate calls placed. Calls may be cancelled at the touch of a button. Removal of call cord plug from station indicates a call at the system's Annunciator panel.

Operation: Red LED's indicate calls placed. Calls may be cancelled at the touch of a button. On B-111 and B-122; removal of call cord plug from station indicates a call at the system's Annunciator panel.

Mounting: The satin-finish stainless steel faceplates may be flush mounted on standard outlet boxes with single-gang rings. The plates may also be surface mounted with Wiremold 5748 or equivalents. Total depth required is 1 3/4".

Engineering Specifications: The contractor shall furnish and install Cornell Bedside Stations as indicated on the plans. The stations shall be equipped with (1) (2) jacks for use with CORNELL Bed Cords or with push buttons, and with red LED call placed indicators and cancel switches. Removal of bedside cord plug shall appear as a call on the Annunciator panel. Satin-finish stainless steel faceplates shall have silk-screened designations clearly marked. Indicator voltage shall be 24 volts DC. Wall boxes shall be standard outlet boxes with single- or double-gang covers.

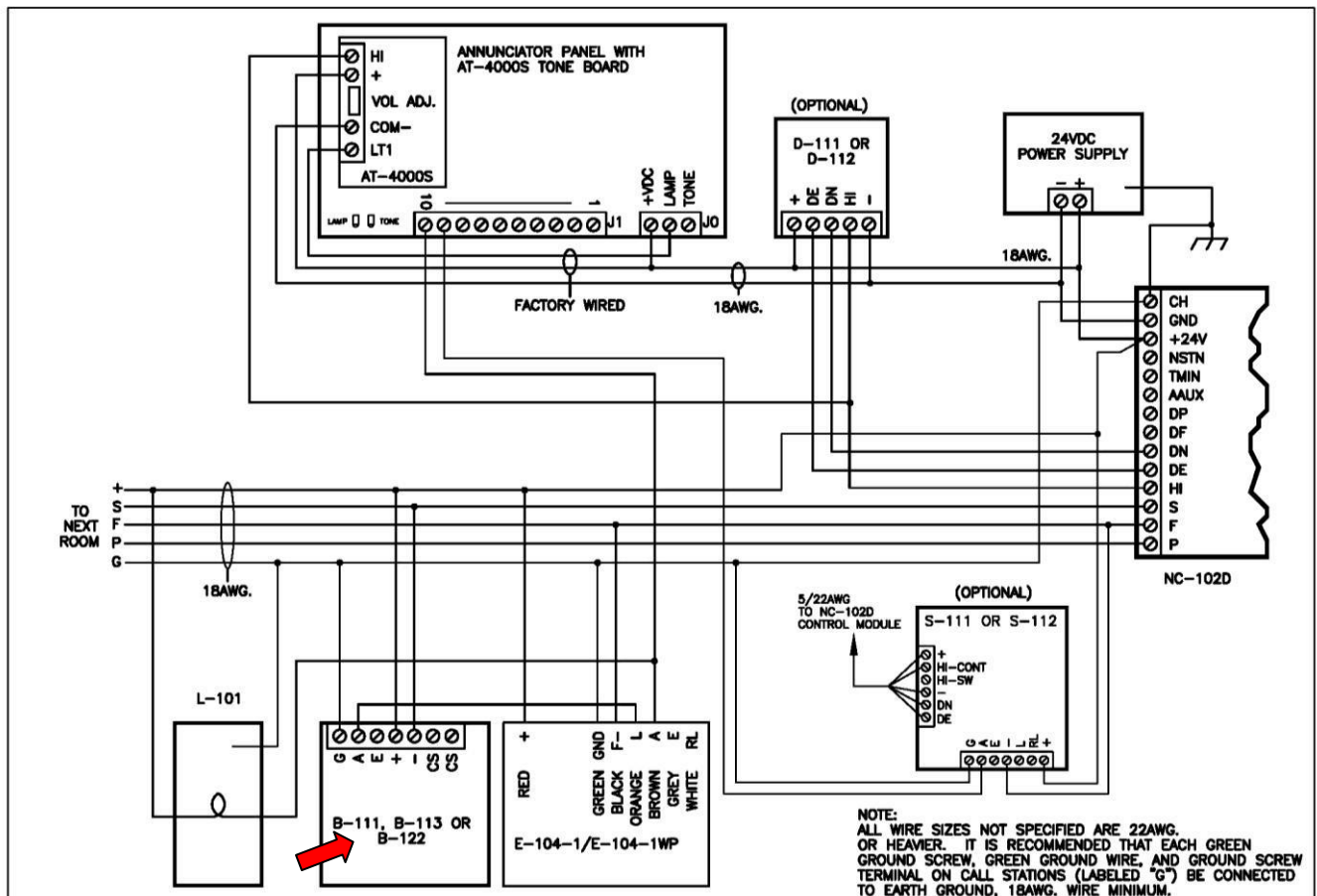
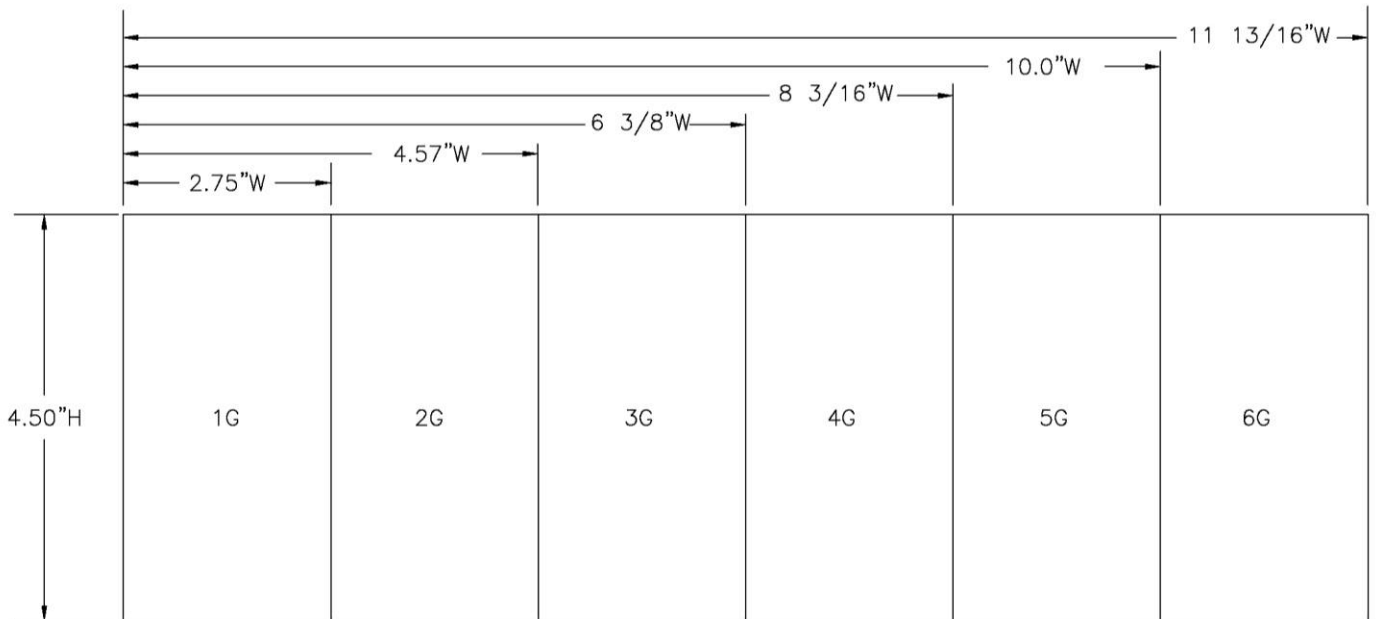
Technical Information:


- Power Requirements: 24VDC
- Operating Environment: 50-120°F Indoor Non-condensing
- Physical Faceplate Dimensions: 4 1/2 "H x 2 3/4 "W (Standard 1 Gang)
- Mounting: Single-Gang back box with 1 3/4" minimum depth
- Wiring: #22 AWG Minimum

Available in 1-6 gang sizes:

* stations are only UL Listed in the 1 gang size

* For correct part number, change first number (1) to gang size needed



| | | |
|---|---|-------------------------|
|  CORNELL Communications, Inc. sales@cornell.com 414-351-4660 Web: www.cornell.com 414-351-4657(fax) | DATE: SEPTEMBER 16, 2008 | SYSTEM: 4000 NURSE CALL |
| | TITLE: DUAL STATUS NC-102D/ L-101 E-104-1 | DRAWING # 90005-08 |

CORNELL COMMUNICATIONS, INC.

Milwaukee, Wisconsin USA • 800-558-8957 • 414-351-4660 • Fax 414-351-4657
 www.cornell.com • sales@cornell.com

