



Corridor Lights 1, 2, 3, 4, or 6 Lights L-101, L-102, L-103, L-422*, and L-423*

*L-422 and L-423 are non-UL



Description: Available with one, two, three, four, or six lamps and a full range of optional silk-screened designations. *CORNELL* Corridor Lights feature translucent wedge-shaped covers in red or white.

Operation: The Light will illuminate when associated station is activated.

Maintenance: Dome covers are easily removed from the front, for simplified lamp replacement.

Options: Corridor lights can be made in 1-6 light configurations with white or red domes. Lights can be made red, blue, amber, yellow,

or green with additional filters. Domes can also be silkscreened.

*4-6 Light configurations are required to be on at least a 4 gang plate.

Mounting: L-101, L-102, and L-103 models mount on standard, single-gang boxes or plaster rings, with a required depth of 1 inch. L-422 and L-423 models mount on a standard 4-gang box or plaster rings with a minimum of 1" depth.

Engineering Specifications: The contractor shall furnish and install the *CORNELL* Series 4000 Corridor Lights with one (L-101), two (L-102), three (L-103), four (L-422) or six (L-423) lamps. The domes shall be (red) or (white), with optional designations silk-screened on the surface. The stainless steel faceplates shall mount on a standard, single-gang electrical wall box or single-gang plaster ring, with external connection achieved via pigtailed. The dome covers shall be removable from the front for easy replacement of the lamps.

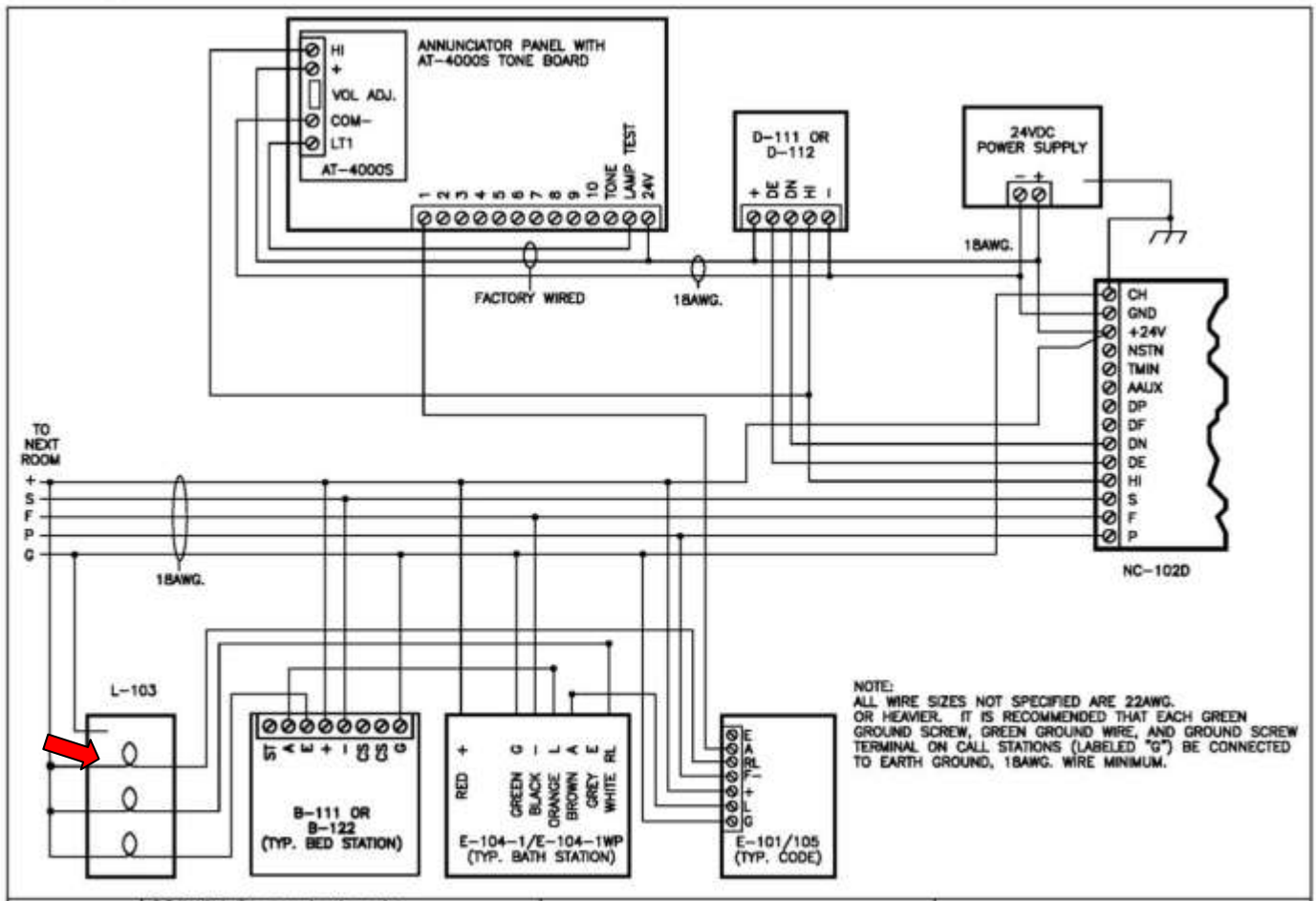
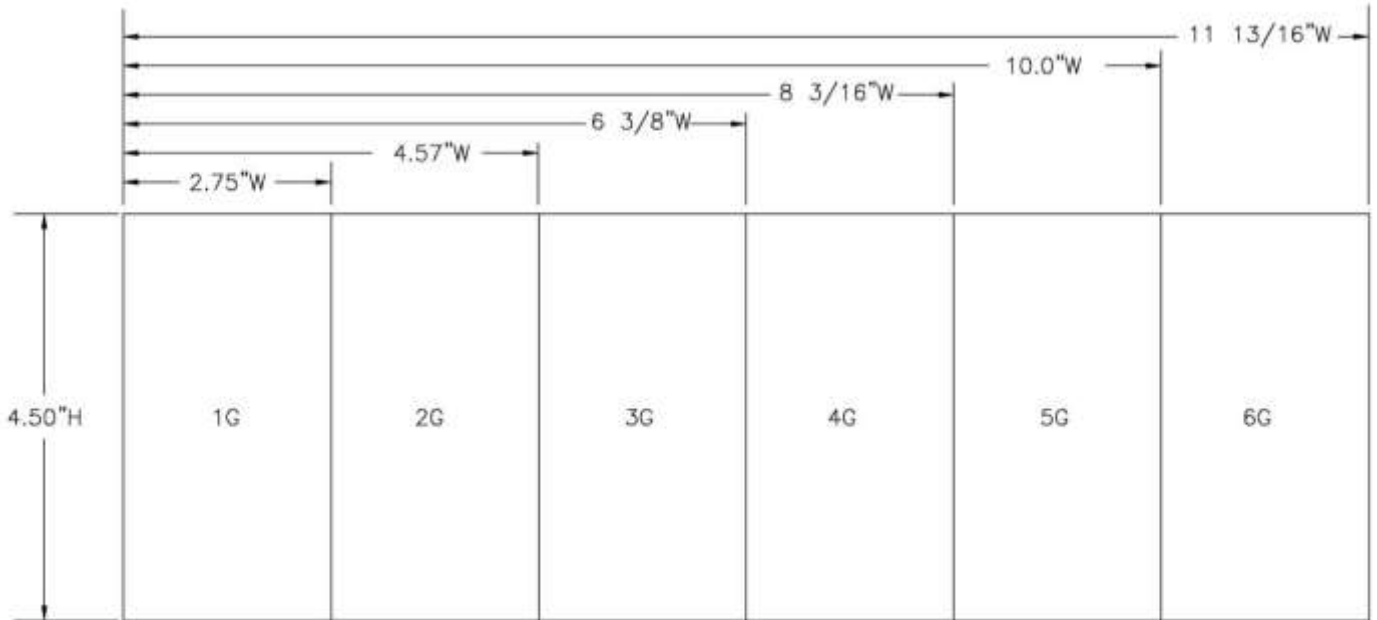
Technical Information:

- Power Requirements: 24VDC
- Operating Environment: 50-120°F Indoor Non-condensing
- Physical Faceplate Dimensions: 4 ½ "H x 2 ¾ "W (1 Gang)
- Mounting: Single-Gang back box with 1" minimum depth
- Wiring: #22 AWG Minimum



Available in 1-6 gang sizes:

**stations are only UL Listed in the 1 gang size*



NOTE:
ALL WIRE SIZES NOT SPECIFIED ARE 22AWG.
OR HEAVIER. IT IS RECOMMENDED THAT EACH GREEN
GROUND SCREW, GREEN GROUND WIRE, AND GROUND SCREW
TERMINAL ON CALL STATIONS (LABELED "G") BE CONNECTED
TO EARTH GROUND, 18AWG. WIRE MINIMUM.

	CORNELL Communications, Inc. sales@cornell.com 414-351-4660 Web: www.cornell.com 414-351-4657(fax)	DATE: APRIL 1, 2008 TITLE: TRIPLE STATUS NC-102D / L-103	SYSTEM: 4000 NURSE CALL DRAWING # 90038-08
	CORNELL COMMUNICATIONS, INC. Milwaukee, Wisconsin USA - 800-558-8957 - 414-351-4660 - Fax 414-351-4657 www.cornell.com - sales@cornell.com		