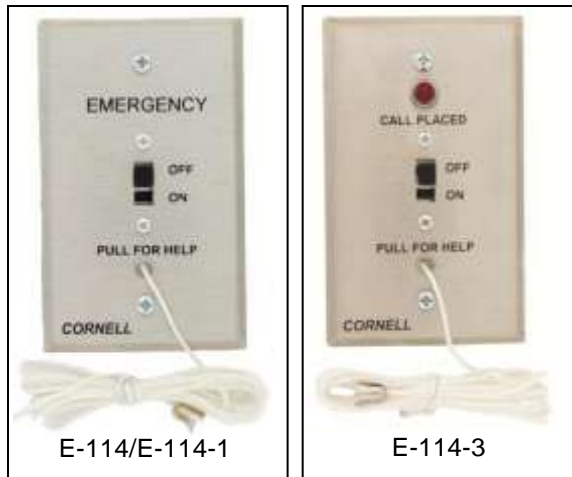




Emergency Stations – Pull String with auxiliary contact and LED options

E-114, E-114-1, and E-114-3



Description: E-114, E-114-1 and E-114-3 Emergency Stations feature satin finished stainless steel faceplates with silk-screened designations. They may be flush mounted on standard outlet boxes with single-gang rings, or surface mounted on Wiremold 5748 or equal with a depth requirement of 1 ¾". Field wiring terminations are wire leads.

The E-114, E-114-1 and E-114-3 have DPDT contacts and pigtail wires. The E-114 has four; the E-114-1 has seven and the E-114-3 has eight pigtail wires.

Operation: Pulling the six-foot nylon cord on CORNELL's Emergency Station activates a call for help. The E-114-3 also has a LED light to confirm call placement. To cancel the call, slide the switch to the off position.

Mounting: The satin finish stainless steel faceplate with silk-screened designations may be flush mounted on a standard outlet box with single-gang plaster ring, or surface mounted on a Wiremold 5748 or equivalent.

Engineering Specifications: The contractor shall furnish and install these CORNELL Emergency Stations as indicated on the plans. Faceplates shall be satin-finish stainless steel with silk-screened designations. Calls in progress can be cancelled by moving the switch to off position. (A red LED on the E-114-3 indicates calls in progress). Stations shall be mounted on standard outlet boxes with single-gang rings or Wiremold 5748 or equivalent.

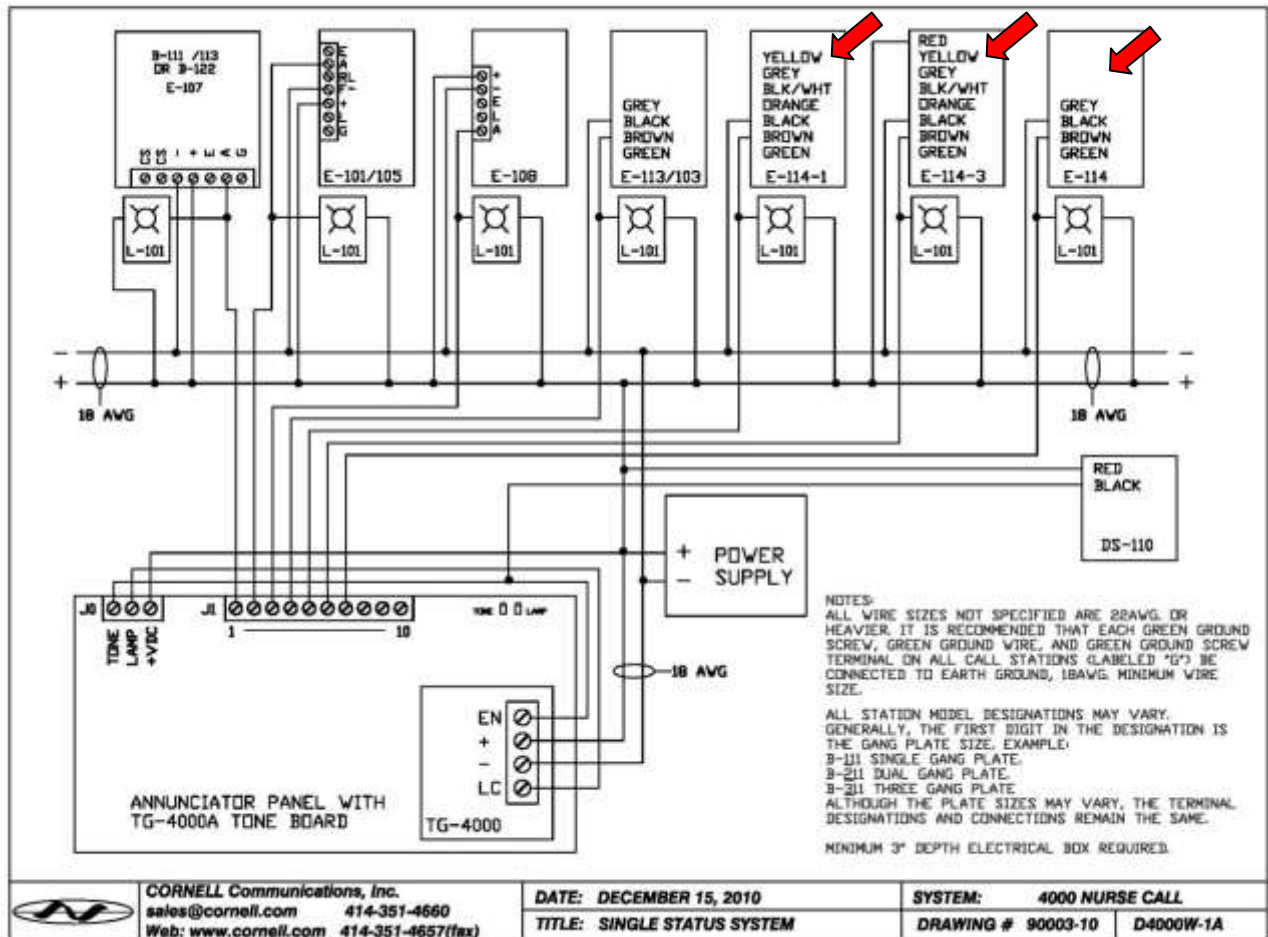
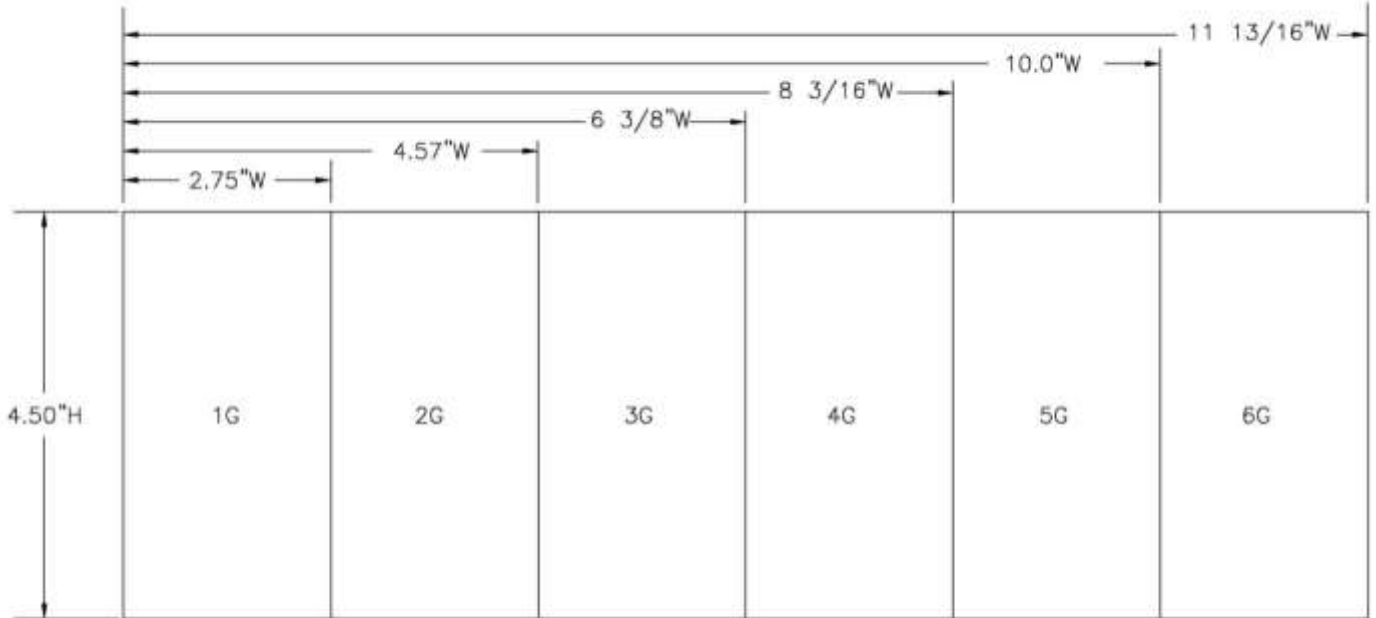
Technical Information:

- Power Requirements: 24VDC
- Operating Environment: 50-120°F Indoor Non-condensing
- Physical Faceplate Dimensions: 4 ½ "H x 2 ¾ "W (Standard 1 Gang)
- Mounting: Single-Gang back box with 1¾" minimum depth
- Wiring: Field wiring terminations are wire leads.

Available in 1-6 gang sizes:

*stations are only UL Listed in the 1 gang size

*For correct part number, change first number (1) to gang size needed



	CORNELL Communications, Inc. sales@cornell.com 414-351-4660 Web: www.cornell.com 414-351-4657(fax)	DATE: DECEMBER 15, 2010 TITLE: SINGLE STATUS SYSTEM	SYSTEM: 4000 NURSE CALL DRAWING # 90003-10	D-4000W-1A
--	--	--	---	------------

CORNELL COMMUNICATIONS, INC.

Milwaukee, Wisconsin USA - 800-558-8957 - 414-351-4660 - Fax 414-351-4657
 www.cornell.com - sales@cornell.com

