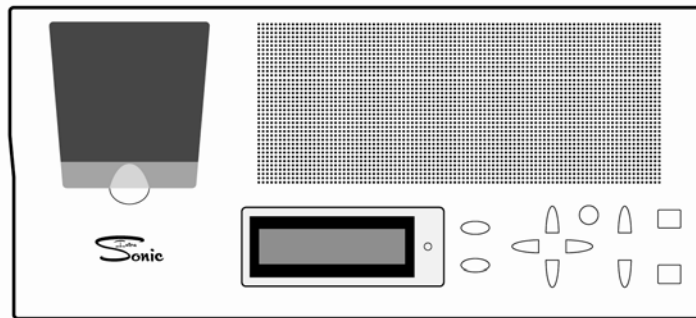


# I1000M

## Rough-In Instructions



Thank you for purchasing an Intrasonic Technology product. Our products are built to provide you with years of high quality sound.

If you need assistance with the installation or operation of this product please contact our Customer Support team at 1-877-435-0670. You may also get information on this and other Intrasonic Technology products on our web site at [www.intrasonictechnology.com](http://www.intrasonictechnology.com)

## Table of Contents

<u>TOPIC</u>	<u>Page</u>	
Cover	1	
Table of Contents	2	
Safety instructions	3	
Do's and Don'ts	3	
Wiring	4	
Maximum number of stations	4	
8 Ohm speakers	4	
Wall housing	4	
Antenna	4	
Room and patio stations	5	
Ceiling and in-wall speakers	5	
Door stations	5	
External sources	5	
Door and gate release	6	
Warranty	7	
Exhibit 1	Installing the master rough-in box	8
Exhibit 2	Wiring external speakers off a room station	9
Exhibit 3	Wiring the door release unit	10
Exhibit 4	Wiring an external door chime	11
Exhibit 5	Wiring for playing local input through an external amp	12
Exhibit 6	Block diagram of door release system	13

### **Safety Instructions**

- ❑ To reduce risk of electrical shock, the I1000M system must be installed by a qualified installer or dealer.
- ❑ Please read the instruction manual in it's entirety before installing the I1000M.
- ❑ Please do not attempt to remove or repair the I1000M. Call a qualified installer or dealer.
- ❑ The apparatus shall not be exposed to dripping or splashing from liquids. No objects filled with liquids, such as vases, shall be placed on the apparatus.

### **Do's and Don'ts**

#### **Don'ts**

- ✓ Expose any parts of the I1000M system to moisture.
- ✓ Locate the master or inside room stations back to back or on walls facing one another. This can cause feedback in the system.
- ✓ Install patio or room stations closer than 10 feet to one another. This can cause feedback in the system.
- ✓ Locate the master, patio, door or room stations in the same wall cavity with any other electrical wiring.
- ✓ Use with un-approved products.
- ✓ Staple cables or use wire splices.
- ✓ Install cables near dimmer controls or florescent light fixtures. Please keep wiring and stations at least 18 inches from any AC wiring. This can cause humming or buzzing noises in the system.
- ✓ Install near sharp objects. Air conditioning ducts and metal plates may damage cables.
- ✓ Exceed more than 300 feet for each run of wire from the master to room, patio or door stations.
- ✓ Daisy chain any stations.

#### **Do's**

- ✓ Install by a qualified installer or dealer.
- ✓ Use approved products with the I1000M.
- ✓ Install a dedicated 110V line to the master. Not having a dedicated line could cause popping, humming or buzzing noises in the system.
- ✓ Locate away from any heat sources.
- ✓ Label all wire runs
- ✓ Only one auxiliary input can be installed per system.

### **Wiring**

The I1000M installs with Cat5 wire. An RJ45 connector must be installed on both ends of the wire runs.

- The maximum length for each individual wire run is 300 feet for room, patio and door stations.

### **Maximum Number of Patio, Door and Room Stations**

The system is designed to handle a specific number of room, patio and door stations. At no time should you install more stations than specified.

- A maximum of 20 stations including room, patio and door.

### **8 Ohm Speakers**

The I1000M system is designed to be used with most 8 ohm speakers. There could be a loss of speaker volume when used with higher wattage or low efficiency speakers. The use of speakers rated less than 8 ohms could result in system damage.

### **Tools Needed**

The I1000M is designed to be installed in new home construction. Below are the tools needed for installation.

- Tape measure
- Level
- Wire stripper & cutter
- RJ45 crimp tool
- Hammer
- Nails
- Drill with appropriate drill bit
- Screw drivers
- RJ45 Tester

### **Wall Housing**

First locate where the home owner wants the master station and each room, patio and door stations installed. The master and room stations should be mounted approximately 50 inches from the floor. Please refer to the Do's and Don'ts section.

Have a qualified electrician run a dedicated 110V line to where the master will be mounted. Locate the I1000H wall housing and install between the wall studs before the drywall is installed. The dimensions of the wall housing are 14 3/8" X 5 11/16" X 3 1/8". Use four nails or screws and a level to mount the wall housing to the studs. Make sure the hook for the third arm is on the top as you install the wall housing. The electrician should wire the dedicated line to the wires provided on the outlet box on the bottom of the wall housing. Then when installing the master unit, which contains the mating plug, just plug in the cable from the master to the outlet box and turn on the breaker for power. See Exhibit 1.

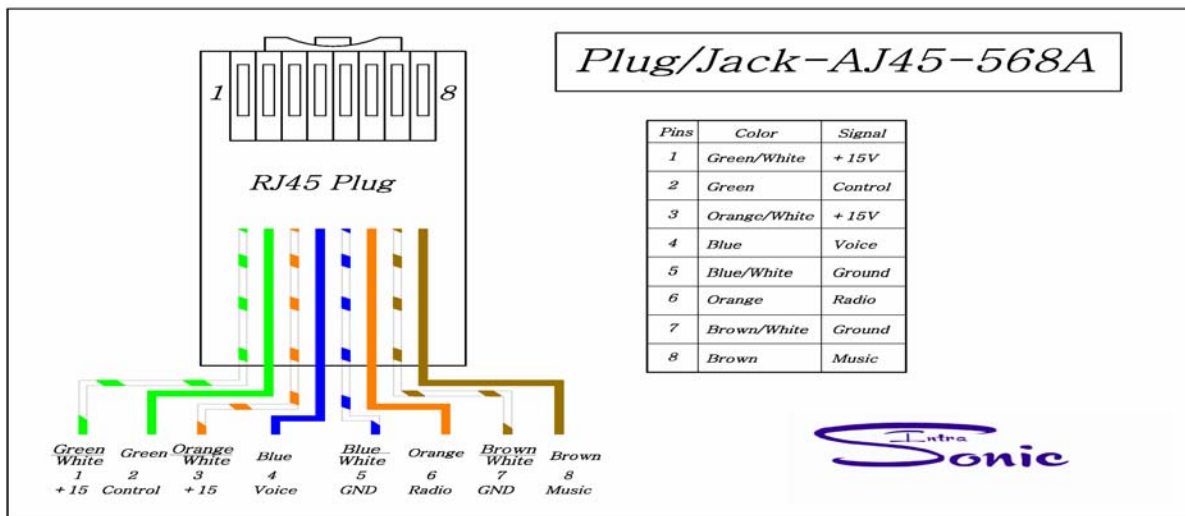
### **Antenna**

To limit interference with radio reception, keep the antenna wires away from other power wires and sources. Run the antennas supplied with the wall housing inside the wall and into the attic to get the antenna as high as possible. The end of the antenna wire with the connectors on them should remain inside the wall housing with sufficient slack to connect them later to the master unit.

The AM antenna filter (ferret bead) should remain inside the wall housing near the master unit to maintain maximum performance.

**Room and Patio Station**

Locate all room I1000R or patio I1000P stations that will be installed. Install a standard deep Romex style plastic 2-gang box for each location, 50 inches off the floor. The suggested manufacturer brand of the 2-gang box is Carlon, model B232 series and BH 235 series. Run a Cat5 cable to each room and patio location from the master wall housing. The maximum length of cable run is 300 feet and stations should be at least 10 feet apart. Stations should not be mounted back to back in the wall. Leave a service loop of approximately 10 inches of cable inside each 2-gang box and in the master wall housing. Follow the color code diagram below and crimp an RJ45 connector on both ends. Test each cable for shorts and opens using an RJ45 cable tester. Make sure to label each cable as you run them. If needed there are recess and surface mount boxes available as required by the installation, IPRSB and IPSMB.



**Ceiling and In-wall Speakers**

Locate where each ceiling or in-wall speaker will be located. From the 2-gang box for the room or patio station, run a 2 conductor 16 gauge cable to the speaker location. Make sure to leave a service loop of at least 10 inches of cable at both ends. Label the wires. See Exhibit 2 for wiring schematic.

**Door Stations**

Locate where all door stations, I1000D, will be located. Run a Cat5 cable to each individual door location from the master wall housing. Remember the maximum cable run is 300 feet. Install a Romex style 2-gang box in the door location, approximately 50 inches from the floor. Use manufacturer Carlon B232 series or BH235 series deep boxes. Leave a service loop of approximately 10 inches of cable at the door station and the master housing. Follow the color code diagram and crimp RJ45 connectors on both ends. Label the cables as you run them. Test for shorts and opens. If needed, there are recess and surface mount boxes available as required by the installation, IDRSB and IDSMB.

To wire an existing chime or customer custom chime, see Exhibit 4.

**External Sources using the Auxiliary Input Unit**

Locate where the external source input unit, "AUXWP", will be located. This normally placed behind the stereo so CD changers and like items can be played through the system. Install a single gang deep box and run a Cat5 cable from the auxiliary unit to the master wall housing. Leave a 10 inch service loop at both ends, test for shorts and opens and label the cable. Note, you can only install one Auxiliary Input unit per system.

### **Door or Gate Release**

The door release unit, I1000DR, should be located close to each door or gate to be controlled. The unit can be mounted in a closet or some where out of sight close to each door or gate. Mounting is accomplished with a deep single gang box. Run standard 16 gauge 2 conductor cable from a 12 volt AC or DC source to the door release unit. Run another 16 gauge 2 conductor cable from the door release unit to the door speaker. Be sure to leave a service loop of approximately 10 inches on both ends. Run a third 16 gauge 2 conductor cable from the door release unit to the door strike unit, I1000DRM, Door Release Mechanism. Wire the assembly in accordance with Exhibit 3. See Exhibit 6 for system diagram.

### **Intrasonic Technology 2 Year Limited Warranty**

Intrasonic Technology warrants its products to be free of manufacturing defects for two years from the date of closing or actual installation. This warranty only applies to products purchased from authorized dealers and distributors. If proof of installation cannot be supplied, the manufacturing date code may be substituted. This warranty extends to the original user or subsequent owner of the product during the warranty term. Intrasonic Technology will replace or repair the product at its option at no charge with a rebuilt or new product. All products with manufacturing defects must be returned to Intrasonic Technology.

If an Intrasonic Technology product is determined to have a defect, please call our toll free number (877-435-0670) before any attempt to dismantle or repair the product. Any attempt to dismantle or repair the product will void the warranty.

An RMA (Return Material Authorization) will be required prior to returning a product to Intrasonic Technology. To obtain an RMA number, call our toll free number (877-435-0670) and speak with a customer service representative. All products returned without an RMA number will be refused.

The limited warranty is in lieu of any other warranty, expressed or implied and any other obligations or liability on the seller's part. The limited warranty does not cover service calls, damage caused by improper installation, acts of God, or violation of building or electrical codes.

Intrasonic Technology will not be liable for consequential, incidental or other damage arising in connection with use or inability to use this product. In no event shall Intrasonic Technology's liability hereunder exceed the cost of the product covered hereby. No person is authorized to assume for Intrasonic Technology or obligate Intrasonic Technology for any other liability in connection with the sale of this product. Some states do not allow exclusion or limitation of consequential, incidental damage, so the above limitation or exclusion may not apply. This limited warranty gives you specific legal rights, and you may also have other rights, which may vary from state to state.

Exhibit 1

Installing the Master Rough-In Box

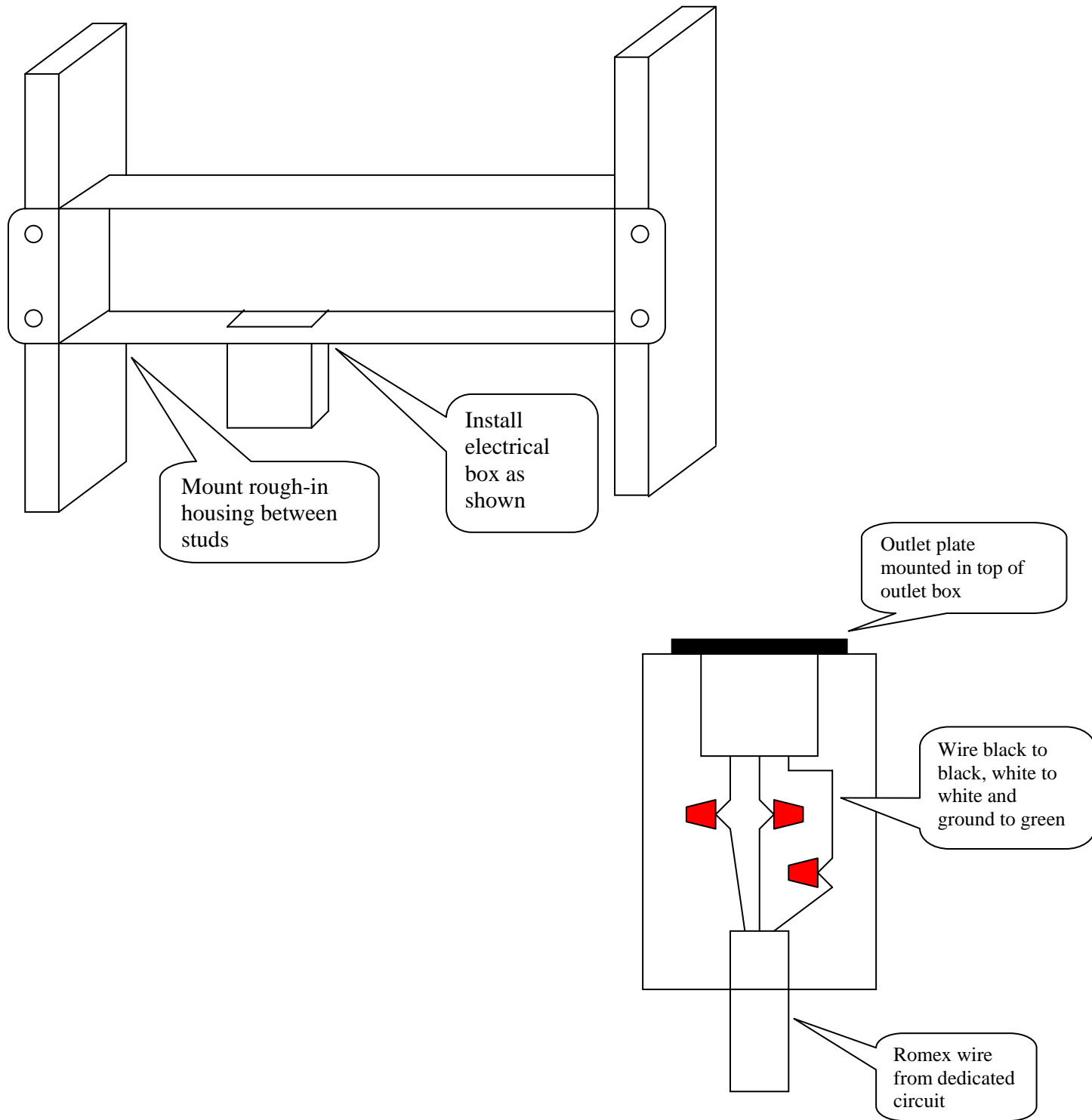


Exhibit 2

Wiring External Speakers Off the Room Station

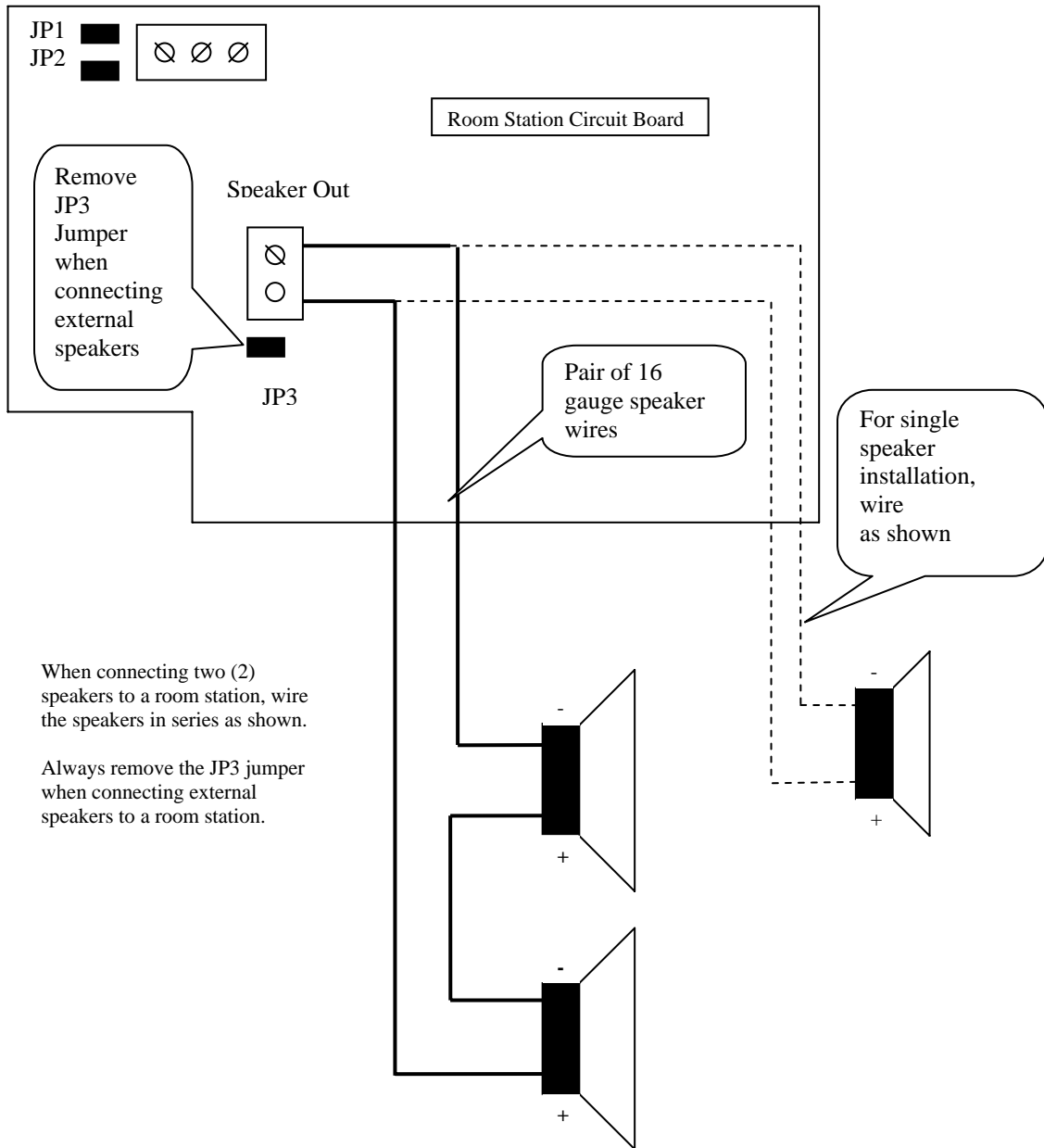


Exhibit 3

Wiring the Door Release Unit and Mechanism

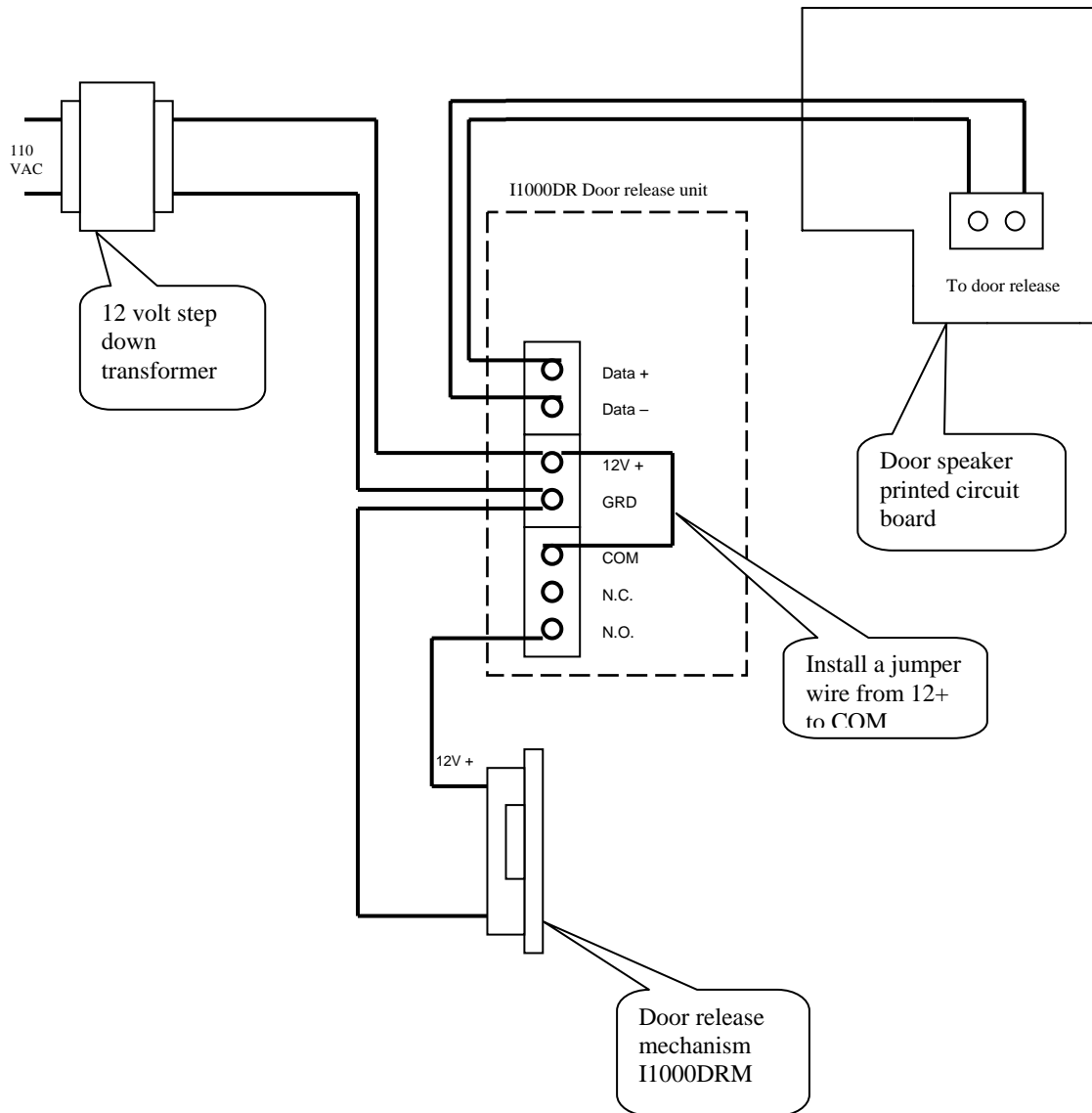
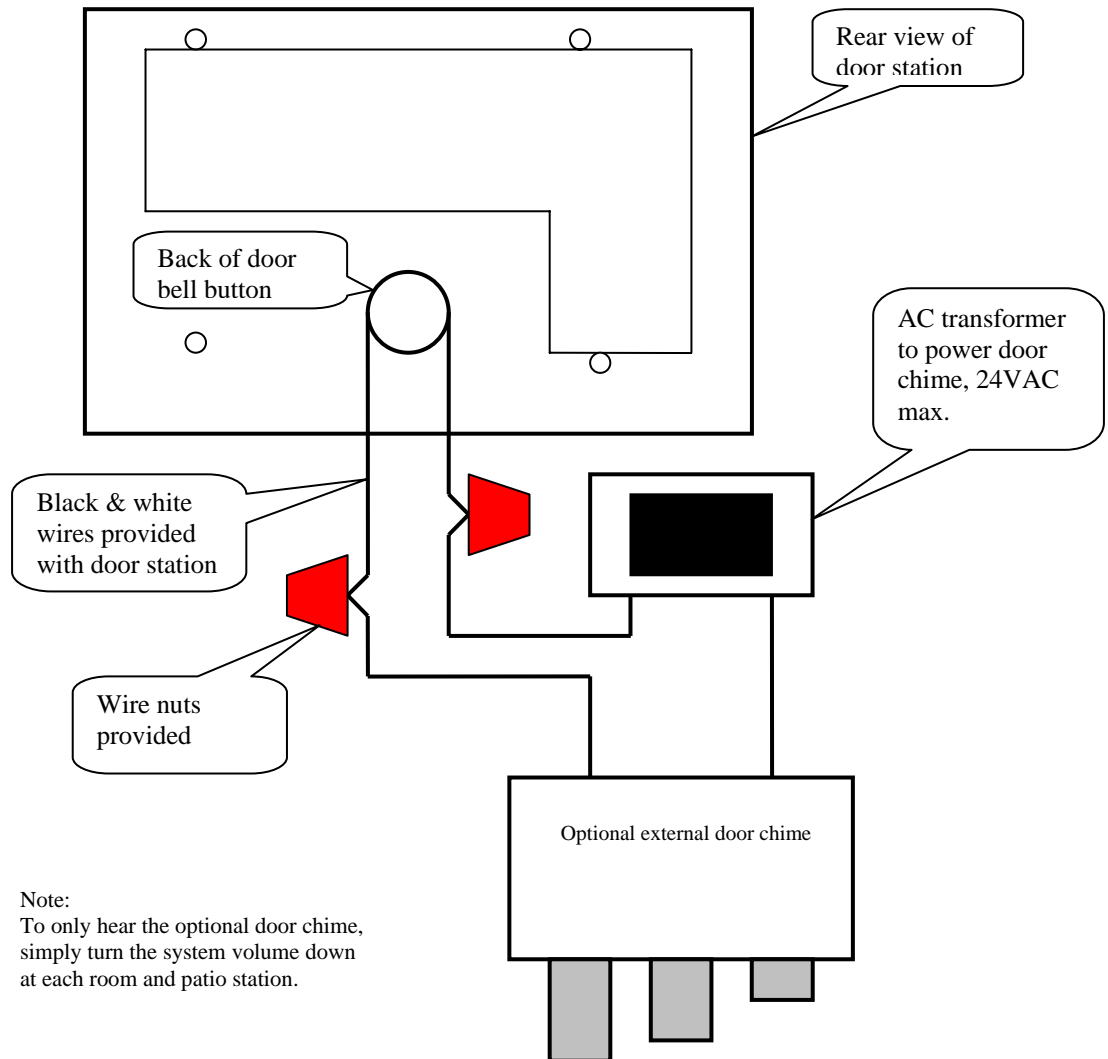


Exhibit 4

Wiring an External Chime to the Door Station



Wiring for Playing the Local Input Through an External Amp

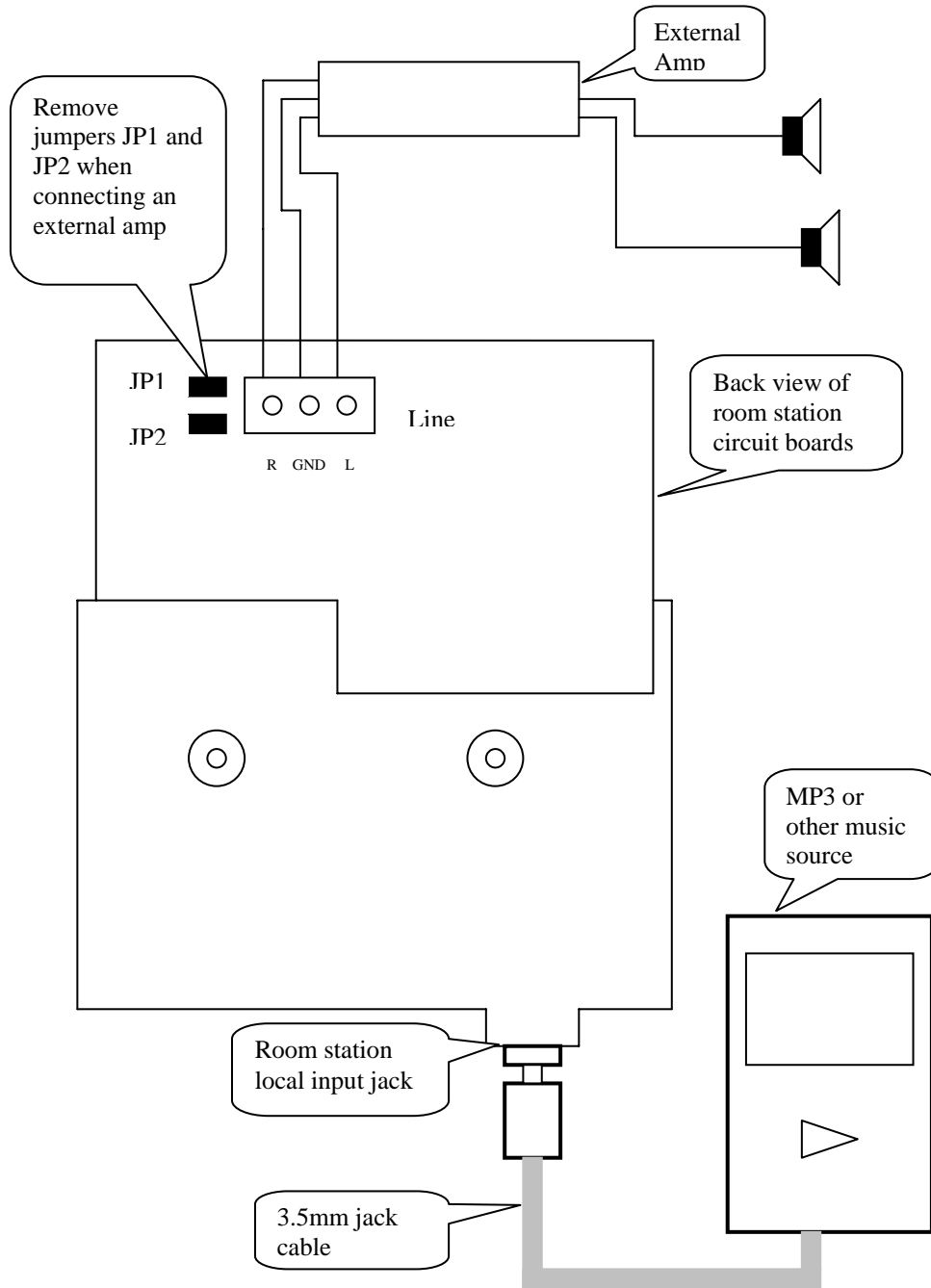
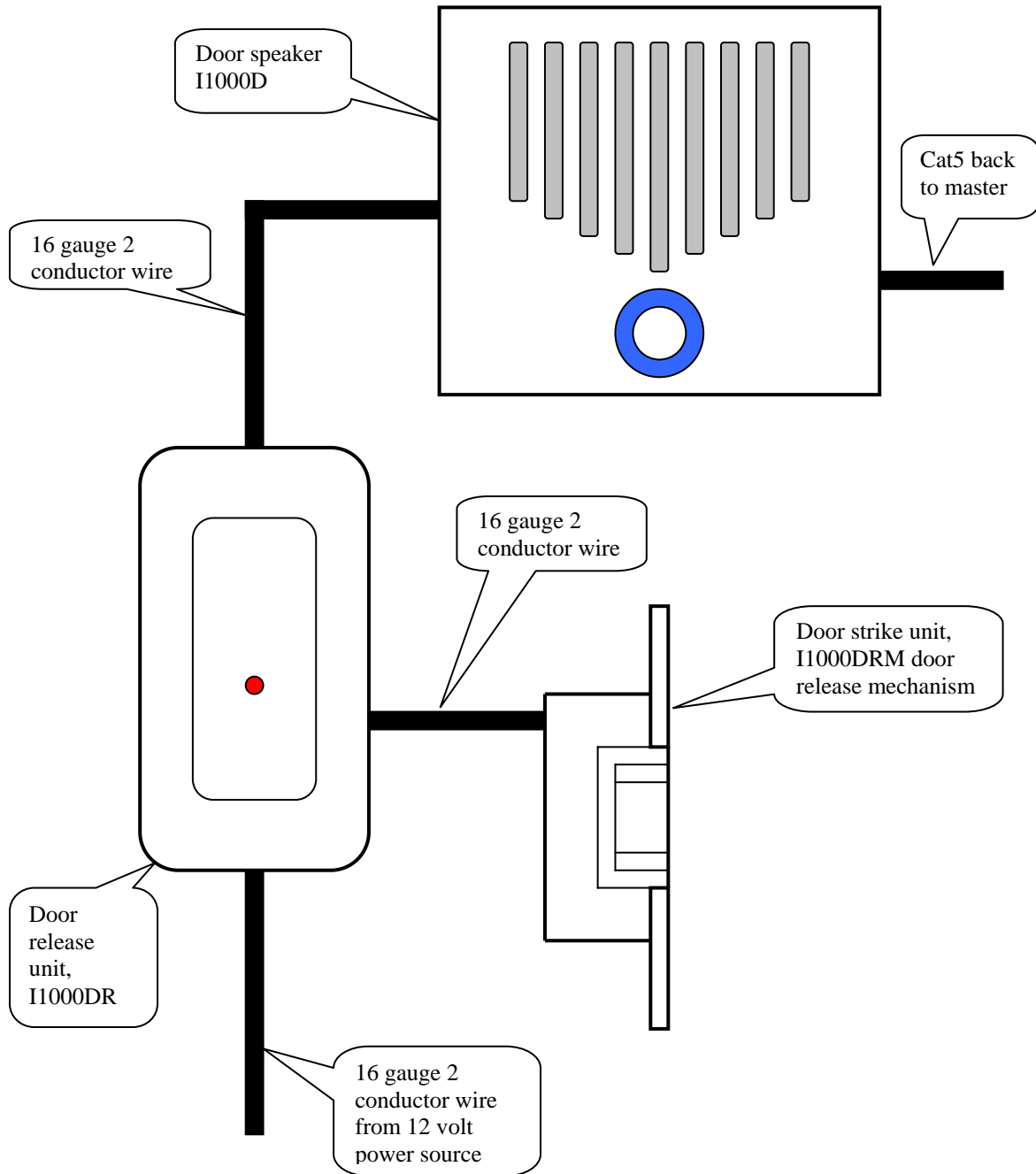


Exhibit 6  
Block Diagram of Door Release System





## **Intrasonic Technology, Inc. 2 Year Limited Warranty**

Intrasonic Technology warrants its products to be free of manufacturing defects for two years from the date of closing or actual installation. This warranty only applies to products purchased from authorized dealers or distributors. If proof of installation can not be supplied, the manufacturing date code may be substituted. The warranty extends to the original user or subsequent owner of the product during the warranty term. Intrasonic Technology will replace or repair the product at its option at no charge with a rebuilt or new product. All products with manufacturing defects must be returned to Intrasonic Technology.

If an Intrasonic Technology product is determined to have a manufacturing defect, please call our toll free number (877-435-0670) before any attempt to dismantle or repair the product. Any attempt to dismantle or repair product will void the warranty.

An RMA (Return Material Authorization) will be required prior to returning a product to Intrasonic Technology. To obtain an RMA number, call our toll free number (877-435-0670) and speak with a customer service representative. All products returned to Intrasonic Technology without an RMA will be refused.

The limited warranty is in lieu of any other warranties, expressed or implied and any other obligations or liability on the seller's part. The limited warranty does not cover service calls, damage caused by improper installation, acts of God or violation of building or electrical codes.

Intrasonic Technology will not be liable for consequential, incidental or other damage arising in connection with use or inability to use this product. In no event shall Intrasonic Technology's liability hereunder exceed the cost of the product covered hereby. No person is authorized to assume for Intrasonic Technology or obligate Intrasonic Technology for any other liability in connection with the sale of this product. Some states do not allow the exclusion or limitation of consequential, incidental damage, so the above limitation or exclusion may not apply. This limited warranty gives you specific legal rights and you may also have other rights, which may vary state to state.