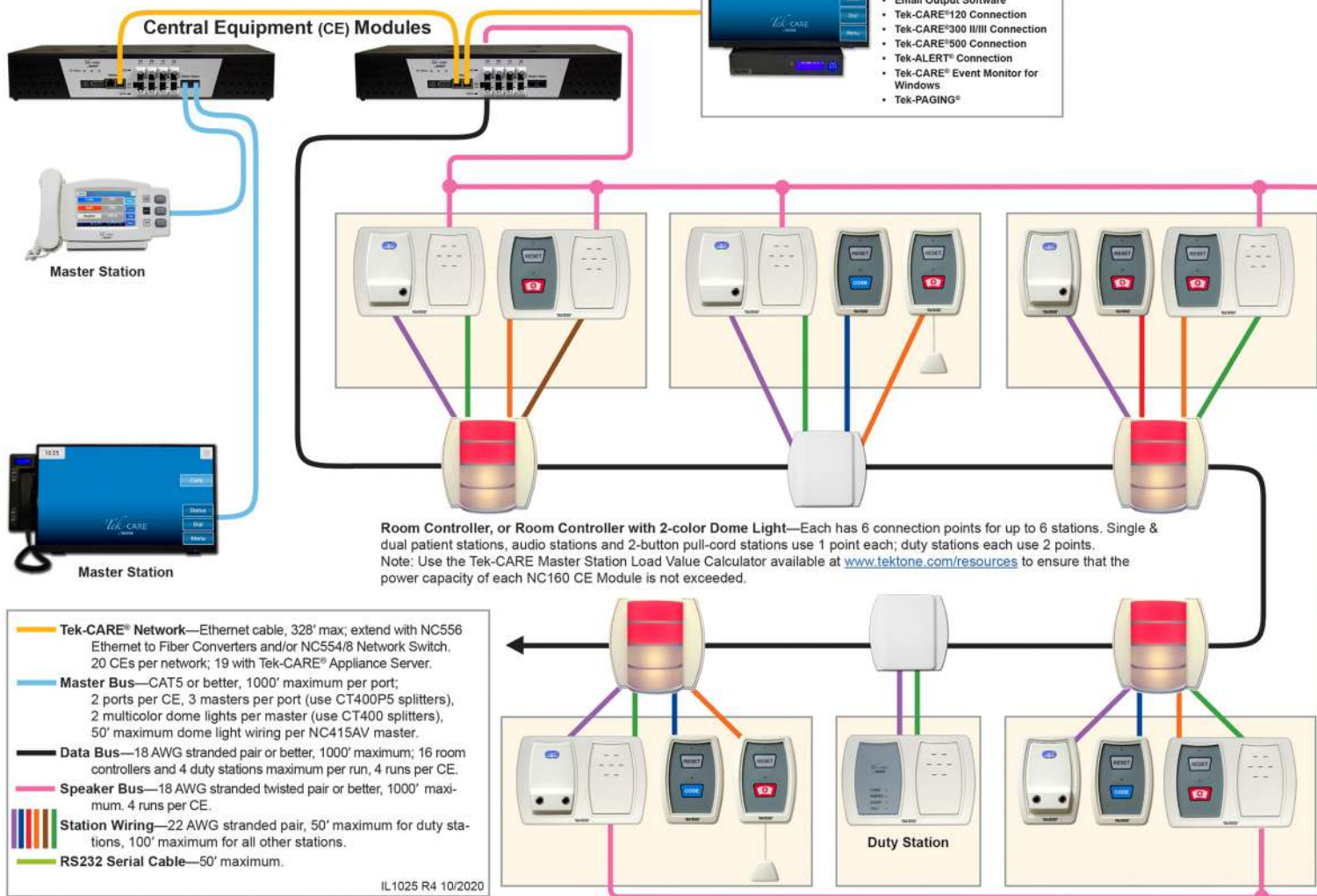


TekTone® Tek-CARE®160 System Layout

(See installation manuals for complete wiring information.)



Room Controller, or Room Controller with 2-color Dome Light—Each has 6 connection points for up to 6 stations. Single & dual patient stations, audio stations and 2-button pull-cord stations use 1 point each; duty stations each use 2 points.
 Note: Use the Tek-CARE Master Station Load Value Calculator available at www.tektone.com/resources to ensure that the power capacity of each NC160 CE Module is not exceeded.